

RS256

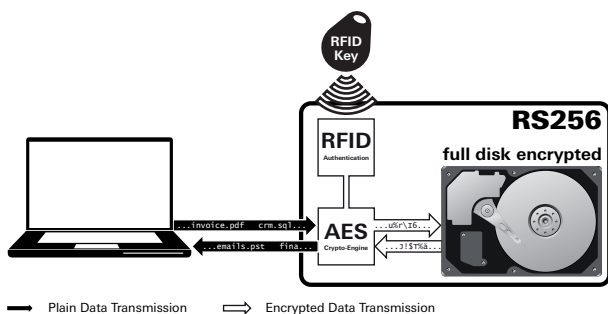


DIGITTRADE RFID Security HDD / SSD



DIGITTRADE RFID Security RS256

The DIGITTRADE RFID Security Hard Disk RS256 is a secure solution for businesses and home users. It reliably protects sensitive data against unauthorized access and strangers, whether at home, on the way or in the office. An elegant and robust aluminum housing protects against mechanical influences and electromagnetic waves. The silicone protectors improve the resistance of the storage media against vibrations and shocks.



Secure solution for companies

Encryption

256-bit AES full-disk hardware encryption in XTS mode

Access control

Authentication by RFID key

Other features:

- encrypted storage of the cryptographic key on the hard disk
- all data is automatically encrypted and stored in real-time by the hardware encryption module
- integrated silicone anti-shock protectors
- protection against mechanical influences and electromagnetic waves due to robust aluminum housing
- OS-independent and bootable
- support of USB 3.0 and 2.0
- storage capacities SSD: 250GB, 500GB, 1TB, 2TB und 4TB;
 HDD: 500GB, 1TB, 2TB und 4TB

Optional configurations:

- laser engraving of logo, inventory numbers, scannable QR codes, name or similar. according to customer specifications

DIGITTRADE GmbH

Ernst-Thälmann-Str.39
D-06179 Teutschenthal
www.digittrade.de

